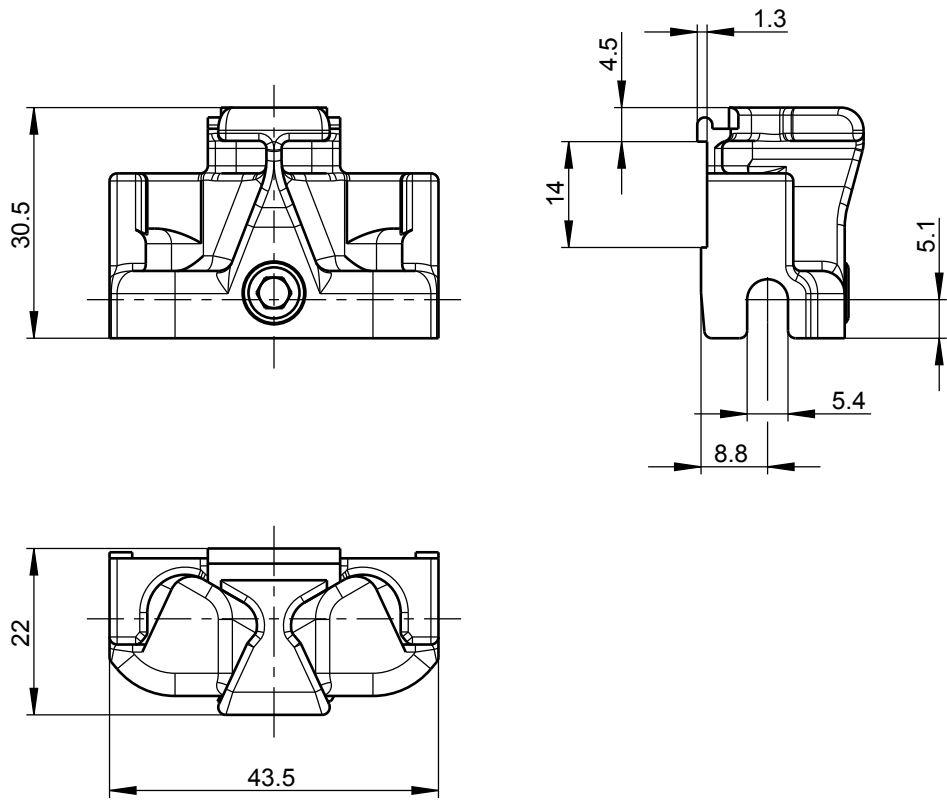


Proprietary rights apply in accordance with ISO 16016.



-
-
-
-
-

Description
Steuerteil 150
 --
Control part

	Release No.	Level	Released		Scale 1:1	Modification	Size
	--	Ver.	--	--		1	4
	Mod. No.	Draft	24.06.2016	Th		Drawing No.	Sheet
	--	Replacement for --			6-33329-00-0	1/1	