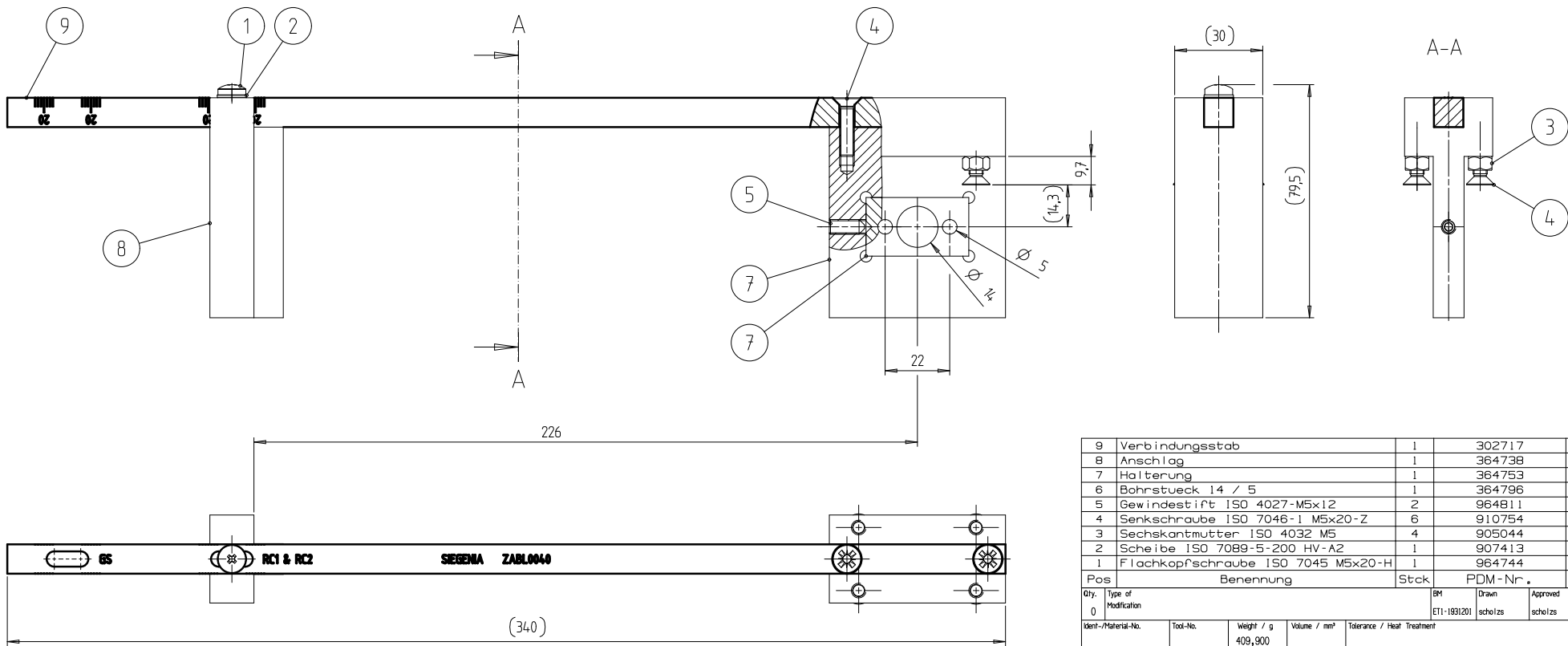


The drawing and its contents are to be kept secret from third parties, particularly competitors. The drawing and documents which go with it are not to be duplicated either in total or extract, or used in other documentation without express approval BSC and 3E UMG - B1 and B UMG. A reservation of rights in accordance with §12 PatG is declared for the event that a patent is granted.



9	Verbindungsstab	1	302717		
8	Anschlag	1	364738		
7	Halterung	1	364753		
6	Bohrstueck 14 / 5	1	364796		
5	Gewindestift ISO 4027-M5x12	2	964811		
4	Senkschraube ISO 7046-1 M5x20-Z	6	910754		
3	Sechskantmutter ISO 4032 M5	4	905044		
2	Scheibe ISO 7089-5-200 HV-A2	1	907413		
1	Flachkopfschraube ISO 7045 M5x20-H	1	964744		
Pos	Benennung	Stck	PDM-Nr.	Bemerk	
Qty.	Type of Modification	GM	Drawn	Approved	Date
0		ET1-1931201	scho1zs	scho1zs	
Ident-/Material-No.	Tool-No.	Weight / g	Volume / mm ³	Tolerance / Heat Treatment	
		409,900			
Metric units, Proj. ISO A	Material	Part Description			
		Bohrlehre DSV			
Scale	Additional Notice	ZABL0040			
1 : 1		PDM - No.		Revision	Status
Drawn	scho1zs	302716		00	20
Date	12.02.2021	Replacement for ... :		Test Procedure	Sheet
Appr.	scho1zs	Replaced by ... :			
Date	12.02.2021				

SIEGENIA