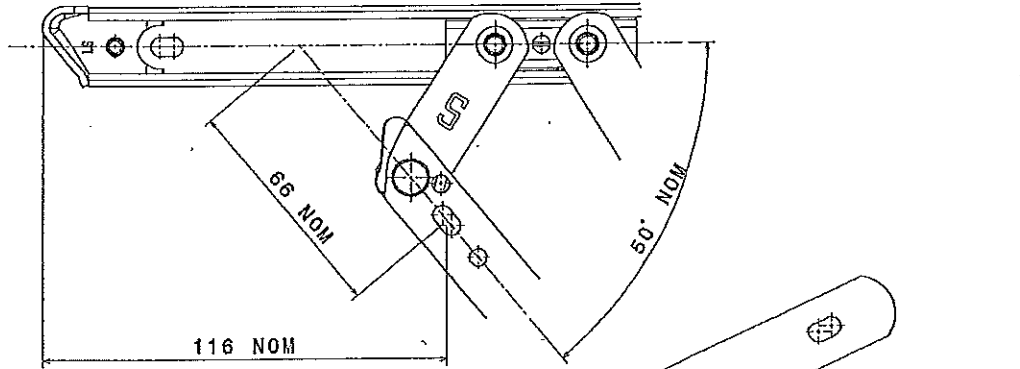


HINGES

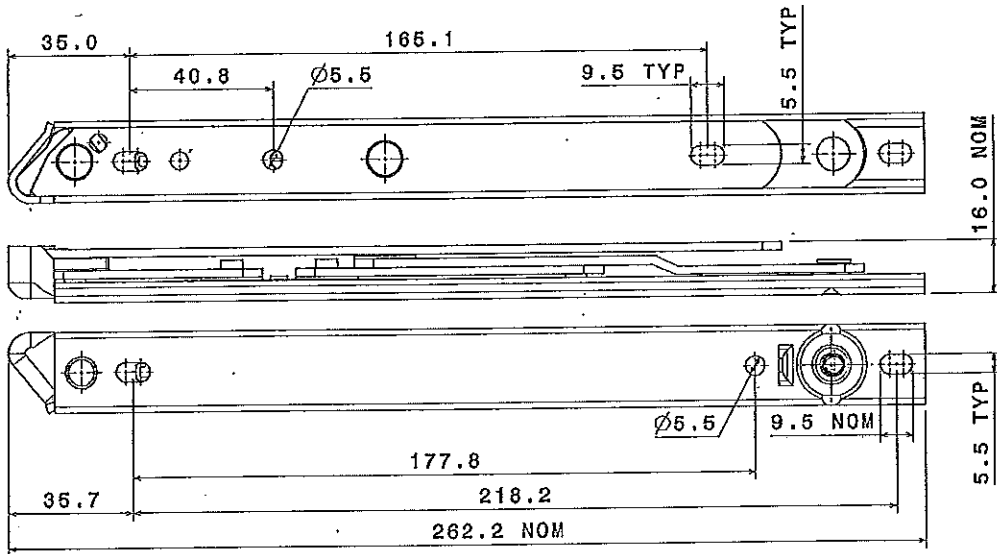
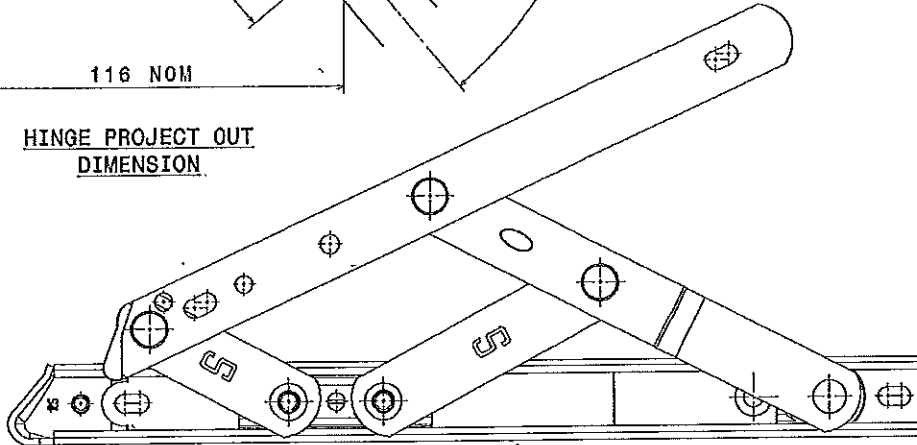
SECTION 6.2 SHEET 1 of 10

ASSEMBLY SHEET - SPT10

Top Hung Hinge



**HINGE PROJECT OUT
DIMENSION**



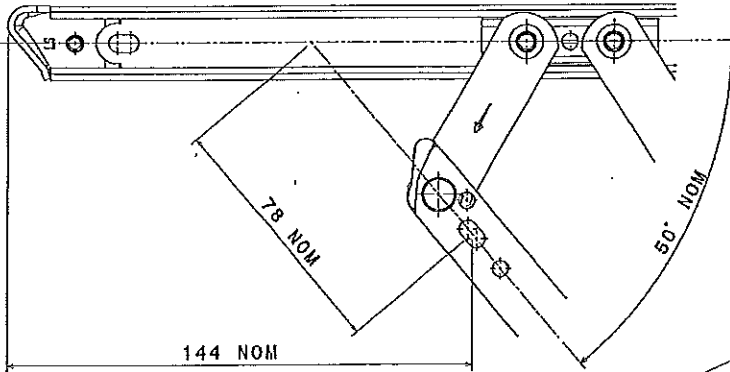
Hinge Code	Max. Vent Weight (Kg)	Min. Vent Height (mm)	Max. Vent Height (mm)	Max. Vent Width (mm)	Hardware Cavity (mm)
SPT10	40	267	635	See profile manufacturers recommendations	16 - 18

HINGES

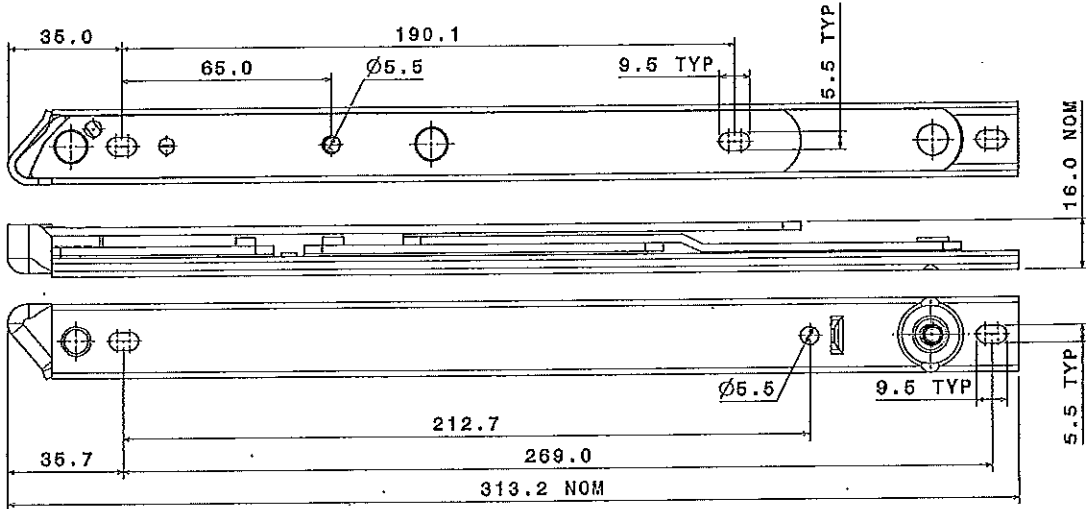
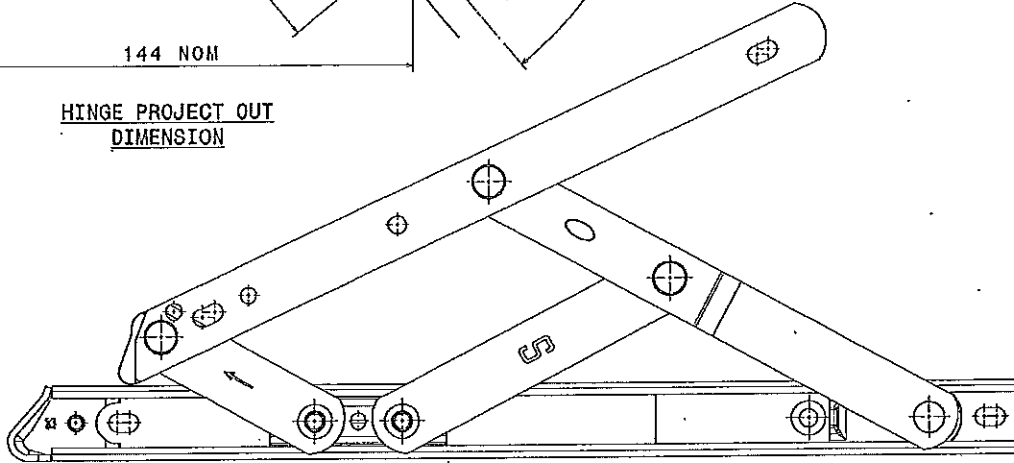
SECTION 6.2 SHEET 2 of 10

ASSEMBLY SHEET - SPT12

Top Hung Hinge



HINGE PROJECT OUT
DIMENSION



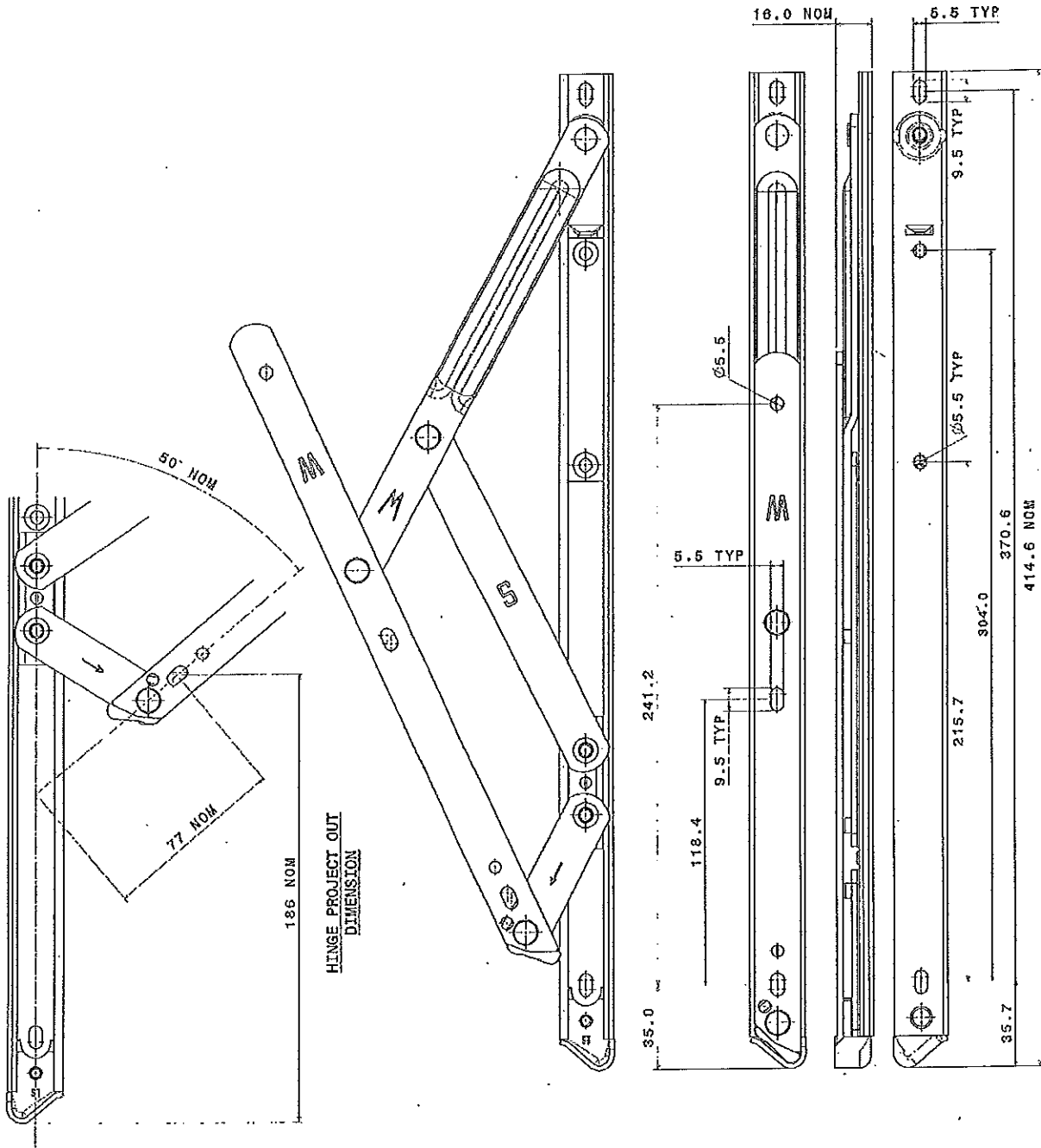
Hinge Code	Max. Vent Weight (Kg)	Min. Vent Height (mm)	Max. Vent Height (mm)	Max. Vent Width (mm)	Hardware Cavity (mm)
SPT12	50	635	787	See profile manufacturers recommendations	16 - 18

HINGES

SECTION 6.2 SHEET 4 of 10

ASSEMBLY SHEET - SPT16W

Top Hung Hinge



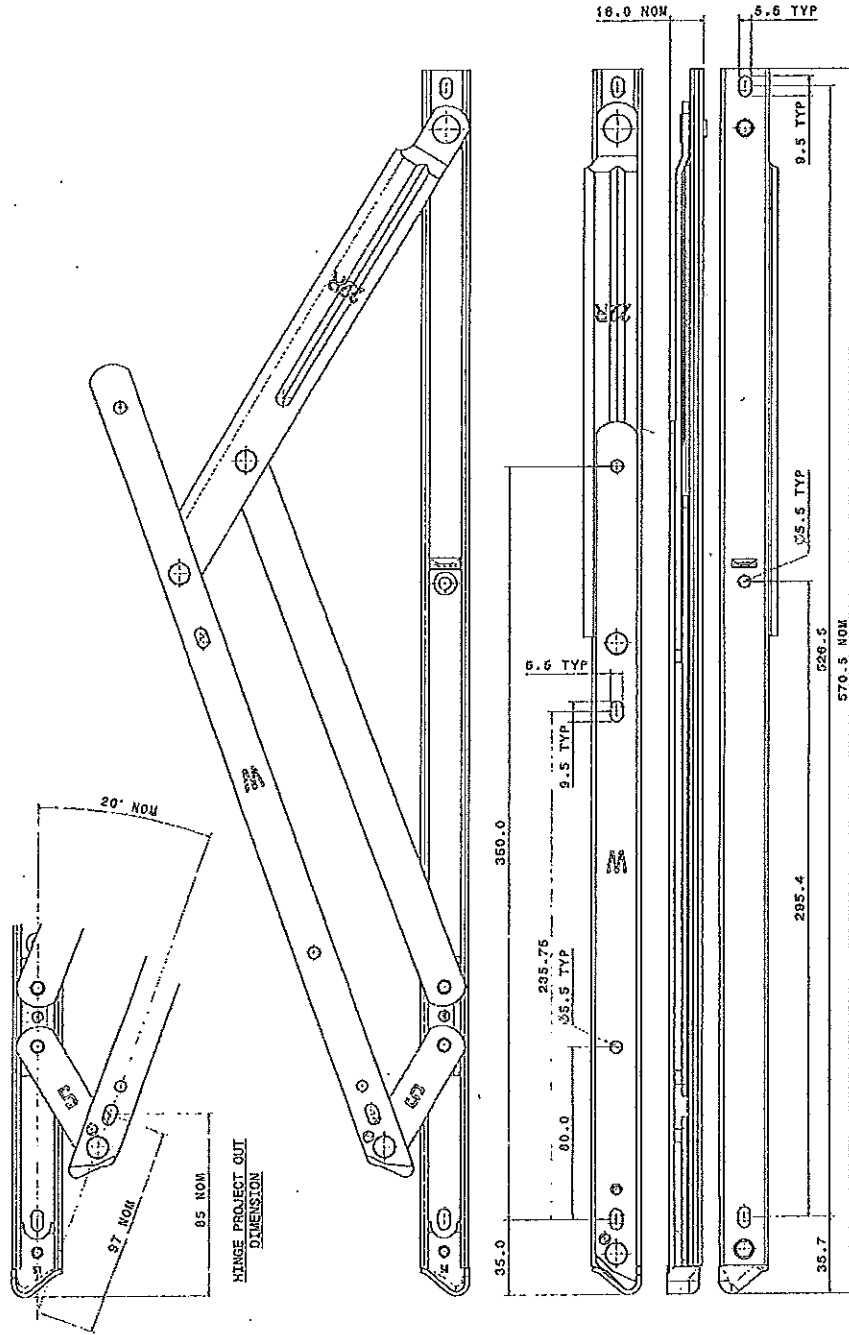
Hinge Code	Max. Vent Weight (Kg)	Min. Vent Height (mm)	Max. Vent Height (mm)	Max. Vent Width (mm)	Hardware Cavity (mm)
SPT16W	65	787	1090	See profile manufacturers recommendations	16 - 18

HINGES

SECTION 6.2 SHEET 7 of 10

ASSEMBLY SHEET - SPT22W

Top Hung Hinge

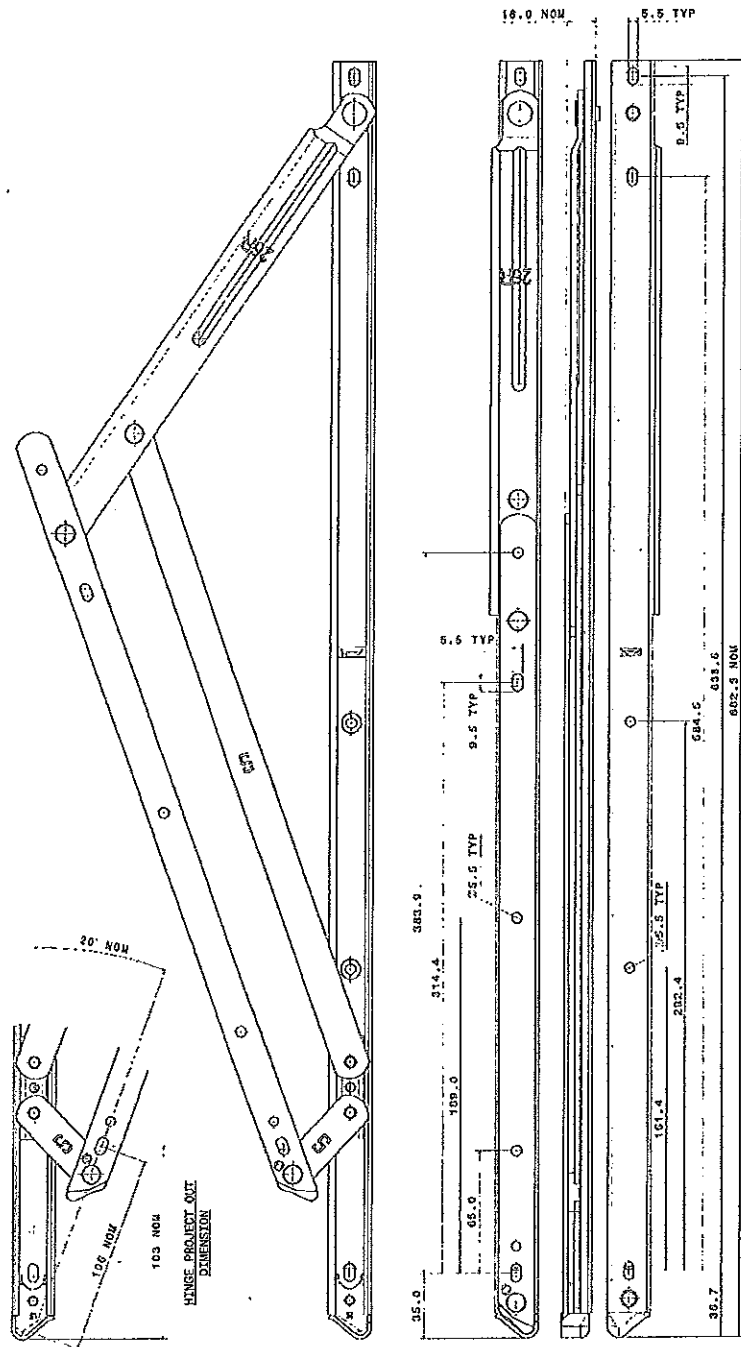


Hinge Code	Max. Vent Weight (Kg)	Min. Vent Height (mm)	Max. Vent Height (mm)	Max. Vent Width (mm)	Hardware Cavity (mm)
SPT22W	100	1500	2000	See profile manufacturers recommendations	16 - 18

HINGES

SECTION 6.2 SHEET 8 of 10

ASSEMBLY SHEET - SPT26 Top Hung Hinge



Hinge Code	Max. Vent Weight (Kg)	Min. Vent Height (mm)	Max. Vent Height (mm)	Max. Vent Width (mm)	Hardware Cavity (mm)
SPT26	180	2000	2500	See profile manufacturers recommendations	16 - 18