

## Hooks for case fasteners

### 3975.20.000E

Hook, galvanized steel, to case fasteners 3655,  
3862

#### Technical data

Material	Steel
Finish	Galvanized

#### Packaging

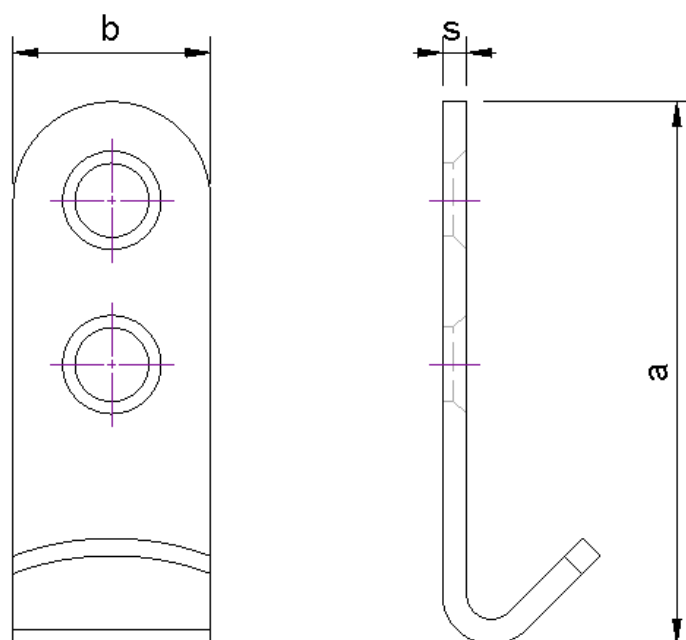
Weight / unit	0.03 kg
Quantity / pack	20

#### Dimensions (mm)

b	a	Øl	#l	s
20	79	4	2	2



*The number of holes may vary from the image*



#### Assembly

Screws			
Number	2	Size	4