

Hooks for case fasteners

3976.20.000E

Hook, galvanized steel, to case fasteners 3862,
3863, 3885

Technical data

Material	Steel
Finish	Galvanized

Packaging

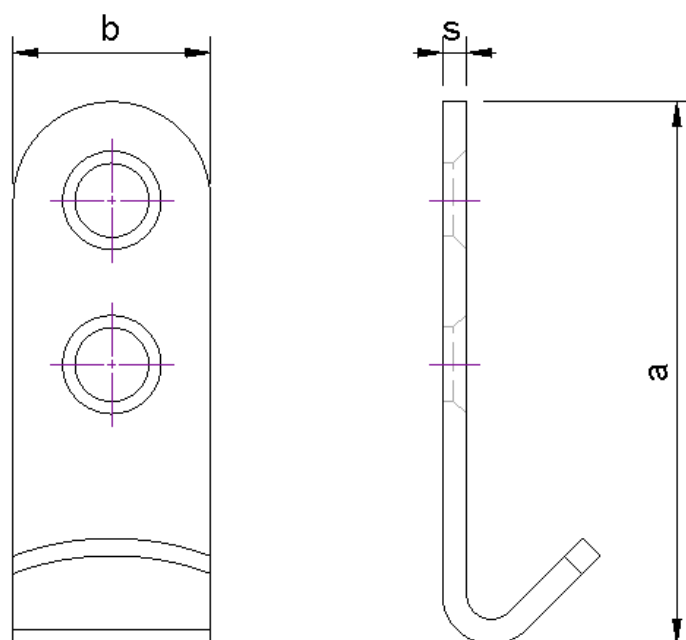
Weight / unit	0.075 kg
Quantity / pack	20

Dimensions (mm)

b	a	Øl	#l	s
25	120	4.5	2	3



The number of holes may vary from the image



Assembly

Screws			
Number	2	Size	4.5