

Robert Bosch GmbH
Power Tools Division
70745 Leinfelden-Echterdingen
Germany

www.bosch-pt.com

1 619 92A 03F (2012.10) PS / 20 XXX



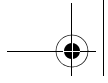
1 619 92A 03F

GBH 5-40 DCE Professional

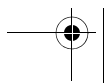
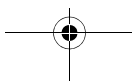
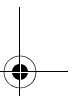
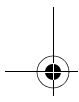
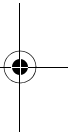
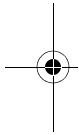
 **BOSCH**

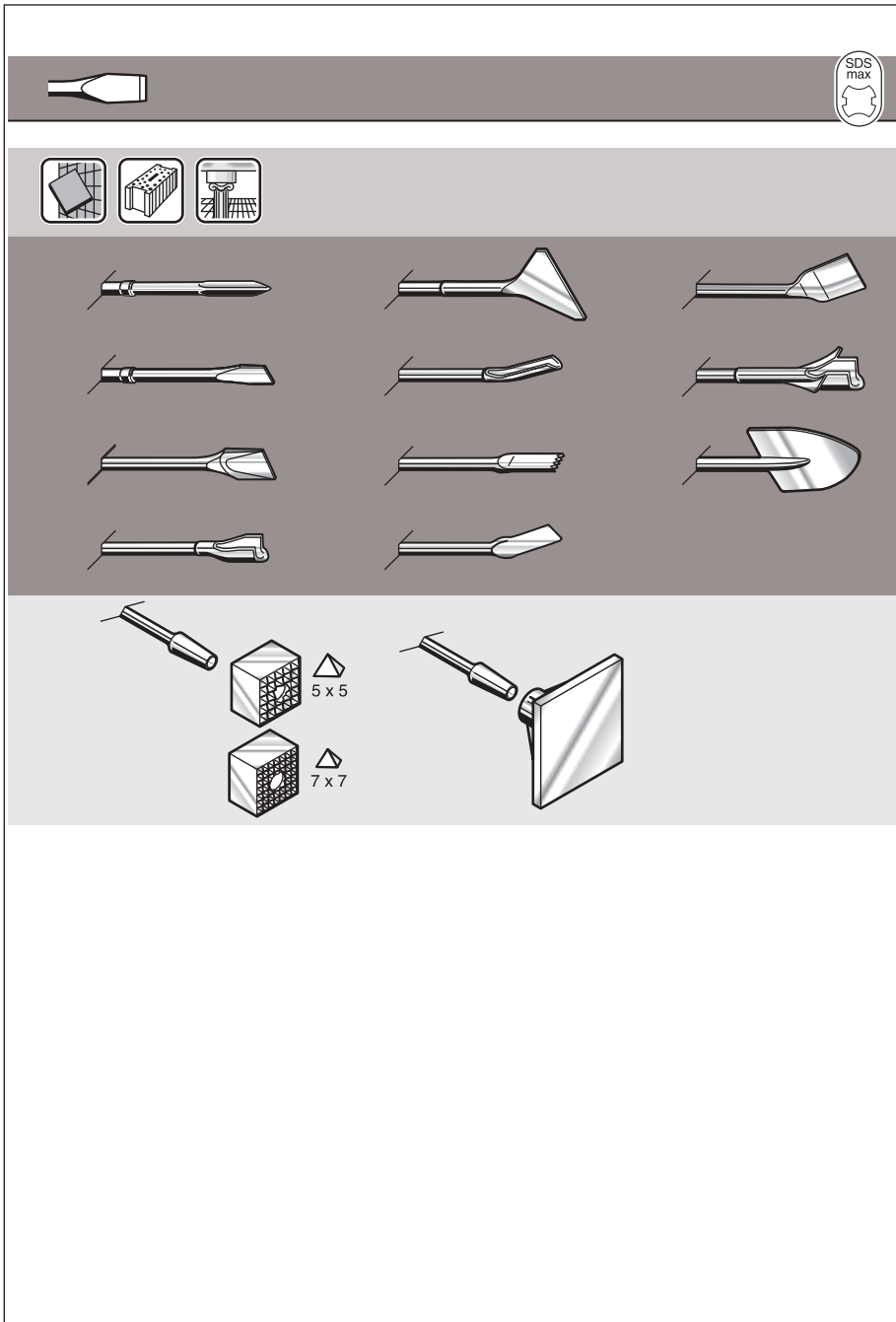
en Original instructions
es Manual original
pt Manual original

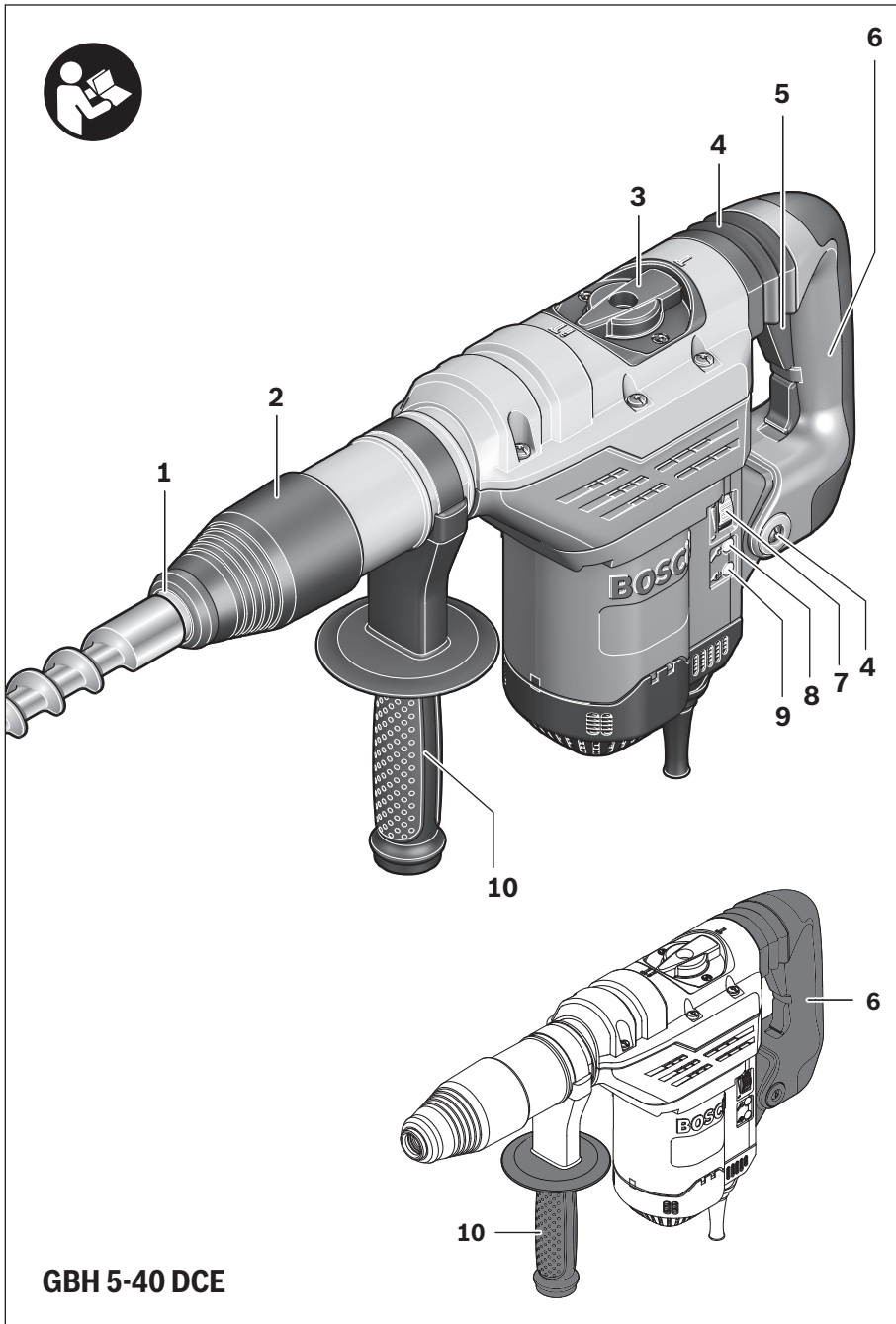


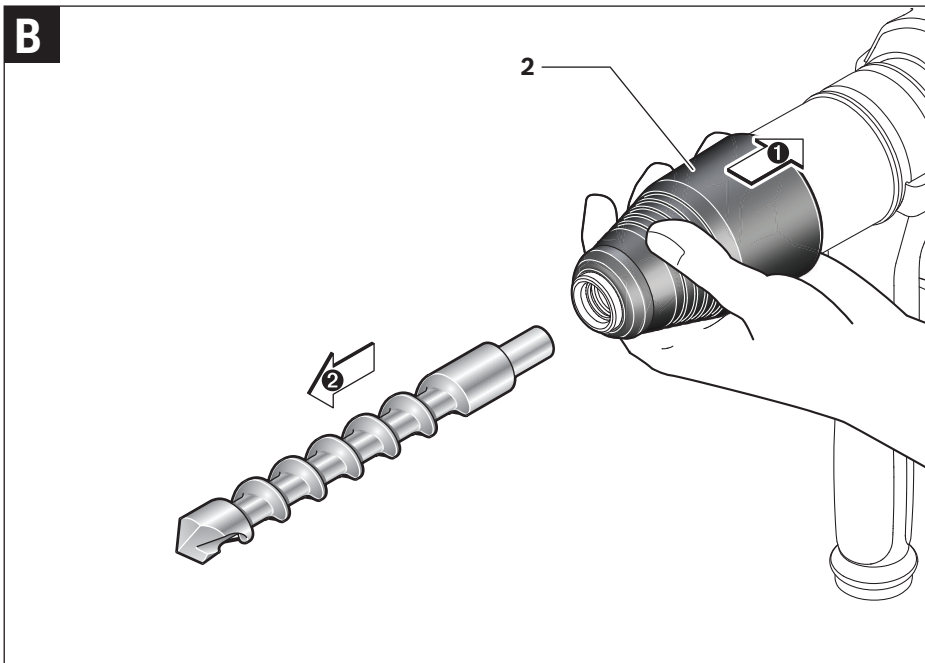
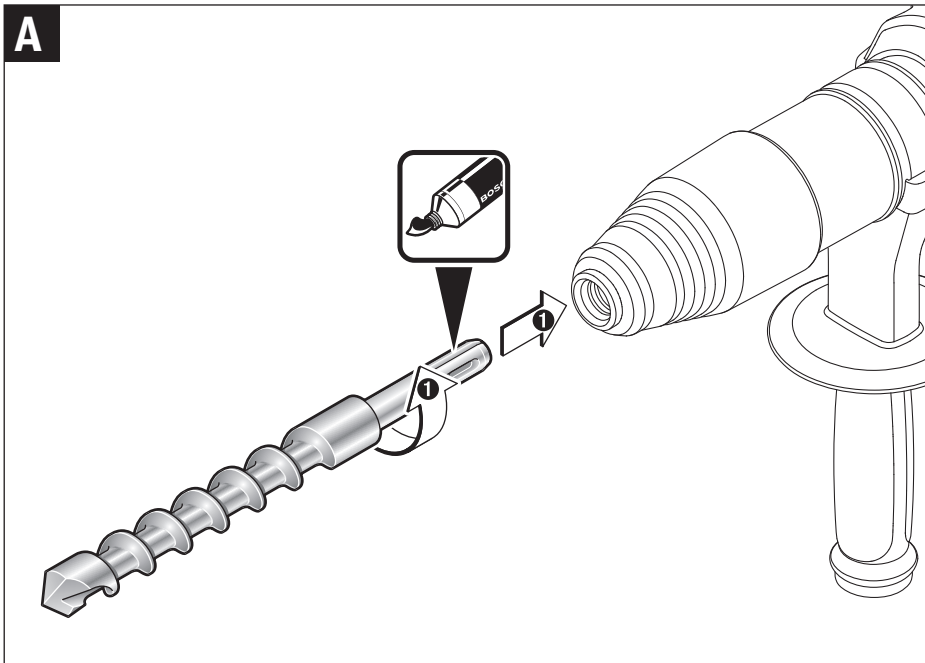


English	Page	6
Español	Página	10
Português.....	Página	15









English

Safety Notes

General Power Tool Safety Warnings

⚠ WARNING Read all safety warnings and all instructions. Failure to follow the warnings and instructions may result in electric shock, fire and/or serious injury.

Save all warnings and instructions for future reference.

The term "power tool" in the warnings refers to your mains-operated (corded) power tool or battery-operated (cordless) power tool.

Work area safety

- ▶ **Keep work area clean and well lit.** Cluttered or dark areas invite accidents.
- ▶ **Do not operate power tools in explosive atmospheres, such as in the presence of flammable liquids, gases or dust.** Power tools create sparks which may ignite the dust or fumes.
- ▶ **Keep children and bystanders away while operating a power tool.** Distractions can cause you to lose control.

Electrical safety

- ▶ **Power tool plugs must match the outlet. Never modify the plug in any way. Do not use any adapter plugs with earthed (grounded) power tools.** Unmodified plugs and matching outlets will reduce risk of electric shock.
- ▶ **Avoid body contact with earthed or grounded surfaces, such as pipes, radiators, ranges and refrigerators.** There is an increased risk of electric shock if your body is earthed or grounded.
- ▶ **Do not expose power tools to rain or wet conditions.** Water entering a power tool will increase the risk of electric shock.
- ▶ **Do not abuse the cord. Never use the cord for carrying, pulling or unplugging the power tool. Keep cord away from heat, oil, sharp edges and moving parts.** Damaged or entangled cords increase the risk of electric shock.
- ▶ **When operating a power tool outdoors, use an extension cord suitable for outdoor use.** Use of a cord suitable for outdoor use reduces the risk of electric shock.
- ▶ **If operating a power tool in a damp location is unavoidable, use a residual current device (RCD) protected supply.** Use of an RCD reduces the risk of electric shock.

Personal safety

- ▶ **Stay alert, watch what you are doing and use common sense when operating a power tool. Do not use a power tool while you are tired or under the influence of drugs, alcohol or medication.** A moment of inattention while operating power tools may result in serious personal injury.
- ▶ **Use personal protective equipment. Always wear eye protection.** Protective equipment such as dust mask, non-skid safety shoes, hard hat, or hearing protection used for appropriate conditions will reduce personal injuries.

- ▶ **Prevent unintentional starting. Ensure the switch is in the off-position before connecting to power source and/or battery pack, picking up or carrying the tool.**

Carrying power tools with your finger on the switch or energising power tools that have the switch on invites accidents.

- ▶ **Remove any adjusting key or wrench before turning the power tool on.** A wrench or a key left attached to a rotating part of the power tool may result in personal injury.
- ▶ **Do not overreach. Keep proper footing and balance at all times.** This enables better control of the power tool in unexpected situations.
- ▶ **Dress properly. Do not wear loose clothing or jewellery. Keep your hair, clothing and gloves away from moving parts.** Loose clothes, jewellery or long hair can be caught in moving parts.
- ▶ **If devices are provided for the connection of dust extraction and collection facilities, ensure these are connected and properly used.** Use of dust collection can reduce dust-related hazards.

Power tool use and care

- ▶ **Do not force the power tool. Use the correct power tool for your application.** The correct power tool will do the job better and safer at the rate for which it was designed.
- ▶ **Do not use the power tool if the switch does not turn it on and off.** Any power tool that cannot be controlled with the switch is dangerous and must be repaired.
- ▶ **Disconnect the plug from the power source and/or the battery pack from the power tool before making any adjustments, changing accessories, or storing power tools.** Such preventive safety measures reduce the risk of starting the power tool accidentally.
- ▶ **Store idle power tools out of the reach of children and do not allow persons unfamiliar with the power tool or these instructions to operate the power tool.** Power tools are dangerous in the hands of untrained users.
- ▶ **Maintain power tools. Check for misalignment or binding of moving parts, breakage of parts and any other condition that may affect the power tool's operation. If damaged, have the power tool repaired before use.** Many accidents are caused by poorly maintained power tools.
- ▶ **Keep cutting tools sharp and clean.** Properly maintained cutting tools with sharp cutting edges are less likely to bind and are easier to control.
- ▶ **Use the power tool, accessories and tool bits etc. in accordance with these instructions, taking into account the working conditions and the work to be performed.** Use of the power tool for operations different from those intended could result in a hazardous situation.

Service

- ▶ **Have your power tool serviced by a qualified repair person using only identical replacement parts.** This will ensure that the safety of the power tool is maintained.

Hammer Safety Warnings

- ▶ **Wear ear protectors.** Exposure to noise can cause hearing loss.
- ▶ **Use auxiliary handle(s), if supplied with the tool.** Loss of control can cause personal injury.
- ▶ **Hold power tool by insulated gripping surfaces, when performing an operation where the cutting accessory may contact hidden wiring or its own cord.** Cutting accessory contacting a "live" wire may make exposed metal parts of the power tool "live" and could give the operator an electric shock.
- ▶ **Use suitable detectors to determine if utility lines are hidden in the work area or call the local utility company for assistance.** Contact with electric lines can lead to fire and electric shock. Damaging a gas line can lead to explosion. Penetrating a water line causes property damage or may cause an electric shock.
- ▶ **When working with the machine, always hold it firmly with both hands and provide for a secure stance.** The power tool is guided more secure with both hands.
- ▶ **Secure the workpiece.** A workpiece clamped with clamping devices or in a vice is held more secure than by hand.
- ▶ **Always wait until the machine has come to a complete stop before placing it down.** The tool insert can jam and lead to loss of control over the power tool.

Products sold in GB only: Your product is fitted with an BS 1363/A approved electric plug with internal fuse (ASTA approved to BS 1362).

If the plug is not suitable for your socket outlets, it should be cut off and an appropriate plug fitted in its place by an authorised customer service agent. The replacement plug should have the same fuse rating as the original plug.

The severed plug must be disposed of to avoid a possible shock hazard and should never be inserted into a mains socket elsewhere.

Products sold in AUS and NZ only: Use a residual current device (RCD) with a rated residual current of 30 mA or less.

Product Description and Specifications



Read all safety warnings and all instructions. Failure to follow the warnings and instructions may result in electric shock, fire and/or serious injury.

While reading the operating instructions, unfold the graphics page for the machine and leave it open.

Intended Use

The machine is intended for hammer drilling in concrete, brick and stone as well as for chiselling.

Product Features

The numbering of the product features refers to the illustration of the machine on the graphics page.

- 1 Dust protection cap
- 2 Locking sleeve
- 3 Mode selector switch
- 4 Vibration damper
- 5 On/Off switch
- 6 Handle (insulated gripping surface)
- 7 Thumbwheel for speed preselection/impact frequency preselection
- 8 Service indicator
- 9 Stand-by indicator
- 10 Auxiliary handle (insulated gripping surface)

Accessories shown or described are not part of the standard delivery scope of the product. A complete overview of accessories can be found in our accessories program.

Technical Data

Rotary Hammer		GBH 5-40 DCE
Article number		3 611 B64 0..
Rated power input	W	1 150
Speed	min ⁻¹	170 – 340
Impact rate		
– Drilling mode	min ⁻¹	1 500 – 2 900
– Chiselling mode	min ⁻¹	1 500 – 3 050
Impact energy per stroke		
– Drilling mode	J	2 – 10
– Chiselling mode	J	2 – 11
Chisel positions		12
Tool holder		SDS-max
Lubrication		Central permanent lubrication
Max. drilling dia.		
– Concrete (with twist drill)	mm	40
– Concrete (with break-through drill bit)	mm	55
– Brickwork (with core bit)	mm	90
Weight according to EPTA-Procedure 01/2003	kg	6.8
Protection class		□/II

The values given are valid for a nominal voltage [U] of 230 V. For different voltages and models for specific countries, these values can vary.

Assembly

- ▶ **Before any work on the machine itself, pull the mains plug.**

Auxiliary Handle

- ▶ **Operate your machine only with the auxiliary handle 10.**

The auxiliary handle **10** can be set to any position for a secure and low-fatigue working posture.

8 | English

- Turn the bottom part of the auxiliary handle **10** in counter-clockwise direction and swivel the auxiliary handle **10** to the desired position. Then retighten the bottom part of the auxiliary handle **10** by turning in clockwise direction.

Changing the Tool

With the SDS-max tool holder, simpler and easier tool changing is possible without additional aids.

The dust protection cap **1** largely prevents the entry of drilling dust into the tool holder during operation. When inserting the tool, take care that the dust protection cap **1** is not damaged.

- ▶ **A damaged dust protection cap should be changed immediately. We recommend having this carried out by an after-sales service.**

Inserting (see figure A)

- Clean and lightly grease the shank end of the tool.
- Insert the tool in a twisting manner into the tool holder until it latches itself.
- Check the latching by pulling the tool.

Removing (see figure B)

- Push back the locking sleeve **2** and remove the tool.

Dust/Chip Extraction

Dusts from materials such as lead-containing coatings, some wood types, minerals and metal can be harmful to one's health. Touching or breathing-in the dusts can cause allergic reactions and/or lead to respiratory infections of the user or bystanders.

Certain dusts, such as oak or beech dust, are considered as carcinogenic, especially in connection with wood-treatment additives (chromate, wood preservative). Materials containing asbestos may only be worked by specialists.

- Provide for good ventilation of the working place.
- It is recommended to wear a P2 filter-class respirator.

Observe the relevant regulations in your country for the materials to be worked.

Operation

Starting Operation

- ▶ **Observe correct mains voltage! The voltage of the power source must agree with the voltage specified on the nameplate of the machine. Power tools marked with 230 V can also be operated with 220 V.**

Setting the operating mode

The operating mode of the power tool is selected with the mode selector switch **3**.

Note: Change the operating mode only when the machine is switched off! Otherwise, the machine can be damaged.

- Turn the mode selector switch **3** to the requested position.



Position for hammer drilling

When the drilling tool does not immediately rotate upon switching on, allow the machine to run slowly until the drilling tool rotates.



Vario-Lock position for adjustment of the chiselling position



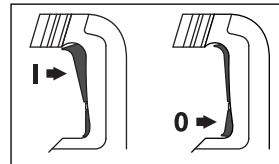
Position for chiselling

In the "chiselling" position, the impact rate preselected with the thumbwheel **7** is automatically increased when switching on; this causes the power tool to operate with increased capacity when chiselling.

Switching On/Off in Drilling Mode

- To **start** the machine, press the On/Off switch **5** and keep it pressed.
- To **switch off** the machine, release the On/Off switch **5**.

Switching On/Off in Chiselling Mode



- To **start** the machine, press the On/Off switch **5** at the top (**I**) until it locks.
- To **switch off** the machine, press the On/Off switch **5** at the bottom (**O**) and release it.

For low temperatures, the power tool reaches the full hammer/impact capacity only after a certain time.

When not using the power tool, switch it off in order to save energy.

Setting the Speed/Impact Rate



The electronic control enables stepless speed and impact preselection in accordance with the material to be worked.

The constant electronic control keeps the preselected speed and impact rate nearly constant between no-load and load conditions.

When plugging the plug into the socket outlet or after a power failure, the constant electronic control automatically sets the highest speed and impact rate. This ensures working at optimum performance despite too low preadjustment of the thumbwheel **7**.

- Select the impact rate with the thumbwheel **7** according to the material.

The data in the following table are recommended values.

Application	Thumbwheel Position
Working roughcast/light building materials	Min. 
Removing tiles	
Working brick	
Working concrete	Max. 

Safety Clutch

- ▶ **If the tool insert becomes caught or jammed, the drive to the drill spindle is interrupted. Because of the forces that occur, always hold the power tool firmly with both hands and provide for a secure stance.**
- ▶ **If the power tool jams, switch the machine off and loosen the tool insert. When switching the machine on with the drilling tool jammed, high reaction torques can occur.**

Changing the Chiselling Position (Vario-Lock)

The chisel can be locked in 12 positions. In this manner, the optimum working position can be set for each application.

- Insert the chisel into the tool holder.
- Turn the mode selector switch **3** to the “Vario-Lock” position (see “Setting the operating mode”, page 8).
- Turn the tool holder to the desired chiselling position.
- Turn the mode selector switch **3** to the “chiselling” position. The tool holder is now locked.
- ▶ **The mode selector switch **3** must always be locked in the “Chiselling” position when chiselling.**

Working Advice

- ▶ **Before any work on the machine itself, pull the mains plug.**

Vibration Damper



The integrated vibration damper reduces occurring vibrations.

The soft grip handle increases the safety against slipping off and thus provides for a better grip and handling of the power tool.

Maintenance and Service

Maintenance and Cleaning

- ▶ **Before any work on the machine itself, pull the mains plug.**
- ▶ **For safe and proper working, always keep the machine and ventilation slots clean.**
- ▶ **A damaged dust protection cap should be changed immediately. We recommend having this carried out by an after-sales service.**

If the replacement of the supply cord is necessary, this has to be done by Bosch or an authorized Bosch service agent in order to avoid a safety hazard.

Service Indicator 8

When the carbon brushes are worn out, the machine switches itself off. This is indicated approx. 8 hours beforehand by the lighting or blinking of the service indicator **8**. The machine must then be sent to an after-sales service agent. Addresses are listed in the Section “After-sales Service and Application Service”.

Stand-by Indicator 9

When the mains plug is plugged in and mains voltage is given, the stand-by indicator **9** must be lit. When the machine cannot be switched on despite lit stand-by indicator **9**, it must be sent to an after-sales service agent; for addresses, see section “After-sales Service and Application Service”, page 9. If the machine should fail despite the care taken in manufacturing and testing procedures, repair should be carried out by an after-sales service centre for Bosch power tools.

In all correspondence and spare parts order, please always include the 10-digit article number given on the type plate of the machine.

After-sales Service and Application Service

Our after-sales service responds to your questions concerning maintenance and repair of your product as well as spare parts. Exploded views and information on spare parts can also be found under:

www.bosch-pt.com

Bosch’s application service team will gladly answer questions concerning our products and their accessories.

Great Britain

Robert Bosch Ltd. (B.S.C.)
P.O. Box 98
Broadwater Park
North Orbital Road
Denham
Uxbridge
UB 9 5HJ
Tel. Service: (0844) 7360109
Fax: (0844) 7360146
E-Mail: boschservicecentre@bosch.com

Ireland

Origo Ltd.
Unit 23 Magna Drive
Magna Business Park
City West
Dublin 24
Tel. Service: (01) 4666700
Fax: (01) 4666888

10 | Español

Australia, New Zealand and Pacific Islands

Robert Bosch Australia Pty. Ltd.
 Power Tools
 Locked Bag 66
 Clayton South VIC 3169
 Customer Contact Center
 Inside Australia:
 Phone: (01300) 307044
 Fax: (01300) 307045
 Inside New Zealand:
 Phone: (0800) 543353
 Fax: (0800) 428570
 Outside AU and NZ:
 Phone: +61 3 95415555
 www.bosch.com.au

Republic of South Africa

Customer service
 Hotline: (011) 6519600

Gauteng – BSC Service Centre

35 Roper Street, New Centre
 Johannesburg
 Tel.: (011) 4939375
 Fax: (011) 4930126
 E-Mail: bsctools@icon.co.za

KZN – BSC Service Centre

Unit E, Almar Centre
 143 Crompton Street
 Pinetown
 Tel.: (031) 7012120
 Fax: (031) 7012446
 E-Mail: bsc.dur@za.bosch.com

Western Cape – BSC Service Centre

Democracy Way, Prosperity Park
 Milnerton
 Tel.: (021) 5512577
 Fax: (021) 5513223
 E-Mail: bsc@zsd.co.za

Bosch Headquarters

Midrand, Gauteng
 Tel.: (011) 6519600
 Fax: (011) 6519880
 E-Mail: rbsa-hq.pts@za.bosch.com

Disposal

The machine, accessories and packaging should be sorted for environmental-friendly recycling.

Do not dispose of power tools into household waste!

Subject to change without notice.

Español**Instrucciones de seguridad****Advertencias de peligro generales para herramientas eléctricas**

⚠ ADVERTENCIA Lea íntegramente estas advertencias de peligro e instrucciones. En caso de no atenerse a las advertencias de peligro e instrucciones siguientes, ello puede ocasionar una descarga eléctrica, un incendio y/o lesión grave.

Guardar todas las advertencias de peligro e instrucciones para futuras consultas.

El término herramienta eléctrica empleado en las siguientes advertencias de peligro se refiere a herramientas eléctricas de conexión a la red (con cable de red) y a herramientas eléctricas accionadas por acumulador (o sea, sin cable de red).

Seguridad del puesto de trabajo

- ▶ **Mantenga limpio y bien iluminado su puesto de trabajo.** El desorden o una iluminación deficiente en las áreas de trabajo pueden provocar accidentes.
- ▶ **No utilice la herramienta eléctrica en un entorno con peligro de explosión, en el que se encuentren combustibles líquidos, gases o material en polvo.** Las herramientas eléctricas producen chispas que pueden llegar a inflamar los materiales en polvo o vapores.
- ▶ **Mantenga alejados a los niños y otras personas de su puesto de trabajo al emplear la herramienta eléctrica.** Una distracción le puede hacer perder el control sobre la herramienta eléctrica.

Seguridad eléctrica

- ▶ **El enchufe de la herramienta eléctrica debe corresponder a la toma de corriente utilizada. No es admisible modificar el enchufe en forma alguna. No emplear adaptadores en herramientas eléctricas dotadas con una toma de tierra.** Los enchufes sin modificar adecuados a las respectivas tomas de corriente reducen el riesgo de una descarga eléctrica.
- ▶ **Evite que su cuerpo toque partes conectadas a tierra como tuberías, radiadores, cocinas y refrigeradores.** El riesgo a quedar expuesto a una sacudida eléctrica es mayor si su cuerpo tiene contacto con tierra.
- ▶ **No exponga la herramienta eléctrica a la lluvia y evite que penetren líquidos en su interior.** Existe el peligro de recibir una descarga eléctrica si penetran ciertos líquidos en la herramienta eléctrica.
- ▶ **No utilice el cable de red para transportar o colgar la herramienta eléctrica, ni tire de él para sacar el enchufe de la toma de corriente. Mantenga el cable de red alejado del calor, aceite, esquinas cortantes o piezas móviles.** Los cables de red dañados o enredados pueden provocar una descarga eléctrica.
- ▶ **Al trabajar con la herramienta eléctrica a la intemperie utilice solamente cables de prolongación apropiados para su uso en exteriores.** La utilización de un cable de

prolongación adecuado para su uso en exteriores reduce el riesgo de una descarga eléctrica.

- ▶ **Si fuese imprescindible utilizar la herramienta eléctrica en un entorno húmedo, es necesario conectarla a través de un fusible diferencial.** La aplicación de un fusible diferencial reduce el riesgo a exponerse a una descarga eléctrica.

Seguridad de personas

- ▶ **Esté atento a lo que hace y emplee la herramienta eléctrica con prudencia. No utilice la herramienta eléctrica si estuviese cansado, ni tampoco después de haber consumido alcohol, drogas o medicamentos.** El no estar atento durante el uso de la herramienta eléctrica puede provocarle serias lesiones.
- ▶ **Utilice un equipo de protección personal y en todo caso unas gafas de protección.** El riesgo a lesionarse se reduce considerablemente si, dependiendo del tipo y la aplicación de la herramienta eléctrica empleada, se utiliza un equipo de protección adecuado como una mascarilla antipolvo, zapatos de seguridad con suela antideslizante, casco, o protectores auditivos.
- ▶ **Evite una puesta en marcha fortuita. Asegurarse de que la herramienta eléctrica esté desconectada antes de conectarla a la toma de corriente y/o al montar el acumulador, al recogerla, y al transportarla.** Si transporta la herramienta eléctrica sujetándola por el interruptor de conexión/desconexión, o si alimenta la herramienta eléctrica estando ésta conectada, ello puede dar lugar a un accidente.
- ▶ **Retire las herramientas de ajuste o llaves fijas antes de conectar la herramienta eléctrica.** Una herramienta de ajuste o llave fija colocada en una pieza rotante puede producir lesiones al poner a funcionar la herramienta eléctrica.
- ▶ **Evite posturas arriesgadas. Trabaje sobre una base firme y mantenga el equilibrio en todo momento.** Ello le permitirá controlar mejor la herramienta eléctrica en caso de presentarse una situación inesperada.
- ▶ **Lleve puesta una vestimenta de trabajo adecuada. No utilice vestimenta amplia ni joyas. Mantenga su pelo, vestimenta y guantes alejados de las piezas móviles.** La vestimenta suelta, el pelo largo y las joyas se pueden enganchar con las piezas en movimiento.
- ▶ **Siempre que sea posible utilizar unos equipos de aspiración o captación de polvo, asegúrese que éstos estén montados y que sean utilizados correctamente.** El empleo de estos equipos reduce los riesgos derivados del polvo.

Uso y trato cuidadoso de herramientas eléctricas

- ▶ **No sobrecargue la herramienta eléctrica. Use la herramienta eléctrica prevista para el trabajo a realizar.** Con la herramienta adecuada podrá trabajar mejor y más seguro dentro del margen de potencia indicado.
- ▶ **No utilice herramientas eléctricas con un interruptor defectuoso.** Las herramientas eléctricas que no se pueden conectar o desconectar son peligrosas y deben hacerse reparar.

- ▶ **Saque el enchufe de la red y/o desmonte el acumulador antes de realizar un ajuste en la herramienta eléctrica, cambiar de accesorio o al guardar la herramienta eléctrica.** Esta medida preventiva reduce el riesgo a conectar accidentalmente la herramienta eléctrica.
- ▶ **Guarde las herramientas eléctricas fuera del alcance de los niños. No permita la utilización de la herramienta eléctrica a aquellas personas que no estén familiarizadas con su uso o que no hayan leído estas instrucciones.** Las herramientas eléctricas utilizadas por personas inexpertas son peligrosas.
- ▶ **Cuide la herramienta eléctrica con esmero. Controle si funcionan correctamente, sin atascarse, las partes móviles de la herramienta eléctrica, y si existen partes rotas o deterioradas que pudieran afectar al funcionamiento de la herramienta eléctrica. Haga reparar estas piezas defectuosas antes de volver a utilizar la herramienta eléctrica.** Muchos de los accidentes se deben a herramientas eléctricas con un mantenimiento deficiente.
- ▶ **Mantenga los útiles limpios y afilados.** Los útiles mantenidos correctamente se dejan guiar y controlar mejor.
- ▶ **Utilice la herramienta eléctrica, accesorios, útiles, etc. de acuerdo a estas instrucciones, considerando en ello las condiciones de trabajo y la tarea a realizar.** El uso de herramientas eléctricas para trabajos diferentes de aquellos para los que han sido concebidas puede resultar peligroso.

Servicio

- ▶ **Únicamente haga reparar su herramienta eléctrica por un profesional, empleando exclusivamente piezas de repuesto originales.** Solamente así se mantiene la seguridad de la herramienta eléctrica.

Instrucciones de seguridad para martillos

- ▶ **Utilice unos protectores auditivos.** El ruido intenso puede provocar sordera.
- ▶ **Emplee la(s) empuñadura(s) adicional(es), caso de suministrarse con la herramienta eléctrica.** La pérdida de control sobre la herramienta eléctrica puede provocar un accidente.
- ▶ **Sujete la herramienta eléctrica por las empuñaduras aisladas al realizar trabajos en los que el útil pueda tocar conductores eléctricos ocultos o el propio cable de la herramienta eléctrica.** El contacto con conductores bajo tensión puede hacer que las partes metálicas de la herramienta eléctrica le provoquen una descarga eléctrica.
- ▶ **Utilice unos aparatos de exploración adecuados para detectar posibles tuberías de agua y gas o cables eléctricos ocultos, o consulte a la compañía local que le abastece con energía.** El contacto con cables eléctricos puede electrocutarle o causar un incendio. Al dañar las tuberías de gas, ello puede dar lugar a una explosión. La perforación de una tubería de agua puede redundar en daños materiales o provocar una electrocución.
- ▶ **Trabajar sobre una base firme sujetando la herramienta eléctrica con ambas manos.** La herramienta eléctrica es guiada de forma más segura con ambas manos.

12 | Español

- ▶ **Asegure la pieza de trabajo.** Una pieza de trabajo fijada con unos dispositivos de sujeción, o en un tornillo de banco, se mantiene sujeta de forma mucho más segura que con la mano.
- ▶ **Antes de depositarla, esperar a que se haya detenido la herramienta eléctrica.** El útil puede engancharse y hacerle perder el control sobre la herramienta eléctrica.
- ▶ **El enchufe macho de conexión, debe ser conectado solamente a un enchufe hembra de las mismas características técnicas del enchufe macho en materia.**

Descripción y prestaciones del producto



Lea íntegramente estas advertencias de peligro e instrucciones. En caso de no atenderse a las advertencias de peligro e instrucciones siguientes, ello puede ocasionar una descarga eléctrica, un incendio y/o lesión grave.

Despliegue y mantenga abierta la solapa con la imagen del aparato mientras lee las instrucciones de manejo.

Utilización reglamentaria

El aparato ha sido diseñado para taladrar con percusión en hormigón, ladrillo y piedra y para realizar trabajos de cincelado.

Componentes principales

La numeración de los componentes está referida a la imagen de la herramienta eléctrica en la página ilustrada.

- 1 Caperuza antipolvo
- 2 Casquillo de enclavamiento
- 3 Mando desactivador de percusión y giro
- 4 Amortiguador de vibraciones
- 5 Interruptor de conexión/desconexión
- 6 Empuñadura (zona de agarre aislada)
- 7 Rueda preselección de revoluciones/frecuencia de percusión
- 8 Indicador de servicio
- 9 Indicador stand-by
- 10 Empuñadura adicional (zona de agarre aislada)

Los accesorios descritos e ilustrados no corresponden al material que se adjunta de serie. La gama completa de accesorios opcionales se detalla en nuestro programa de accesorios.

Datos técnicos

Martillo perforador	GBH 5-40 DCE	
Nº de artículo		3 611 B64 0..
Potencia absorbida nominal	W	1 150
Revoluciones	min ⁻¹	170 – 340
Frecuencia de percusión		
– Al taladrar	min ⁻¹	1 500 – 2 900
– Al cincelar	min ⁻¹	1 500 – 3 050
Energía por percusión		
– Al taladrar	J	2 – 10
– Al cincelar	J	2 – 11
Posiciones del cincel		12
Alojamiento del útil		SDS-max
Lubricación		Lubricación permanente centralizada
Ø máx. de perforación		
– Hormigón (con broca helicoidal)	mm	40
– Hormigón (con broca para taladros pasantes)	mm	55
– Ladrillo (con corona perforadora hueca)	mm	90
Peso según EPTA-Procedure 01/2003	kg	6,8
Clase de protección		□/II

Estos datos son válidos para una tensión nominal de [U] 230 V. Los valores pueden variar para otras tensiones y en ejecuciones específicas para ciertos países.

Montaje

- ▶ **Antes de cualquier manipulación en la herramienta eléctrica, sacar el enchufe de red de la toma de corriente.**

Empuñadura adicional

- ▶ **Solamente utilice la herramienta eléctrica con la empuñadura adicional 10 montada.**

La empuñadura adicional **10** puede girarse a cualquier posición para permitirle trabajar manteniendo una postura firme y cómoda.

- Afloje en sentido contrario a las agujas del reloj el mango de la empuñadura adicional **10** y gire ésta a la posición deseada. Seguidamente, apriete el mango en el sentido de las agujas del reloj para sujetar la empuñadura adicional **10**.

Cambio de útil

El portaútiles SDS-max le permite cambiar el útil de forma sencilla y cómoda sin precisar para ello una herramienta.

La caperuza antipolvo **1** evita en gran medida que el polvo que se va produciendo al trabajar penetre en el portaútiles. Al montar el útil, preste atención a no dañar la caperuza antipolvo **1**.

- **Haga sustituir de inmediato una caperuza antipolvo deteriorada. Se recomienda que este trabajo sea realizado por un servicio técnico.**

Montaje del útil (ver figura A)

- Limpie primero y aplique a continuación una capa ligera de grasa al extremo de inserción del útil.
- Inserte girando el útil en el portaútiles hasta conseguir que éste quede sujeto automáticamente.
- Tire del útil para asegurarse de que ha quedado correctamente sujeto.

Desmontaje del útil (ver figura B)

- Empuje hacia atrás el casquillo de enclavamiento **2** y retire el útil.

Aspiración de polvo y virutas

El polvo de ciertos materiales como, pinturas que contengan plomo, ciertos tipos de madera y algunos minerales y metales, puede ser nocivo para la salud. El contacto y la inspiración de estos polvos pueden provocar en el usuario o en las personas circundantes reacciones alérgicas y/o enfermedades respiratorias.

Ciertos polvos como los de roble, encina y haya son considerados como cancerígenos, especialmente en combinación con los aditivos para el tratamiento de la madera (cromatos, conservantes de la madera). Los materiales que contengan amianto solamente deberán ser procesados por especialistas.

- Observe que esté bien ventilado el puesto de trabajo.
- Se recomienda una mascarilla protectora con un filtro de la clase P2.

Observe las prescripciones vigentes en su país sobre los materiales a trabajar.

Operación

Puesta en marcha

- **¡Observe la tensión de red! La tensión de alimentación deberá coincidir con las indicaciones en la placa de características de la herramienta eléctrica. Las herramientas eléctricas marcadas con 230 V pueden funcionar también a 220 V.**

Ajuste del modo de operación

Con el mando desactivador de percusión y giro **3** puede Ud. ajustar el modo de operación de la herramienta eléctrica.

Observación: ¡Únicamente cambie el modo de operación estando desconectada la herramienta eléctrica! En caso contrario podría dañarse la herramienta eléctrica.

- Gire el mando desactivador de percusión y giro **3** a la posición deseada.



Posición para **Taladrar con percusión**

Si el útil no comienza a girar inmediatamente nada más conectar la herramienta eléctrica, déjela funcionar a bajas revoluciones hasta que gire también el útil.



Posición **Vario-Lock** para modificar la posición del cincel



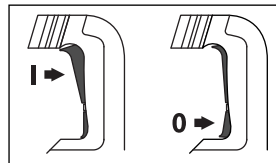
Posición para **Cincelar**

En la posición "Cincelar", la frecuencia de percusión preajustada en la rueda de ajuste **7** es aumentada automáticamente al conectar la herramienta eléctrica para que ésta opere con una mayor potencia.

Conexión/desconexión al taladrar

- Para la **puesta en marcha** de la herramienta eléctrica accionar y mantener en esa posición el interruptor de conexión/desconexión **5**.
- Para **desconectar** la herramienta eléctrica soltar el interruptor de conexión/desconexión **5**.

Conexión/desconexión al cincelar



- Para la **puesta en marcha** de la herramienta eléctrica, presione arriba (**I**) el interruptor de conexión/desconexión **5** hasta lograr enclavarlo.
- Para **desconectar** la herramienta eléctrica, presione abajo (**0**) el interruptor de conexión/desconexión **5** y suéltelo a continuación.

A bajas temperaturas, la herramienta eléctrica deberá funcionar primero durante cierto tiempo hasta que alcance su pleno rendimiento de percusión/impacto.

Si no utiliza la herramienta eléctrica desconéctela para ahorrar energía.

Ajuste del nº de revoluciones/frecuencia de percusión

El regulador electrónico permite preseleccionar de forma continua las revoluciones y la frecuencia de percusión para adaptarlas a los requerimientos de trabajo.


La electrónica Constante mantiene prácticamente constantes las revoluciones y la frecuencia de impacto independientemente de la carga.

14 | Español

Al conectar el enchufe de red a la toma de corriente, o tras un corte del fluido eléctrico, el regulador ajusta automáticamente el nº máximo de revoluciones e impactos. Ello le permite trabajar a la potencia óptima si se hubiese preajustado un valor reducido en la rueda de ajuste 7.

- Seleccione las revoluciones adecuadas de acuerdo al material a trabajar con la rueda de ajuste 7.

Los valores indicados en la siguiente tabla son solamente orientativos.

Aplicación	Posición rueda de ajuste
Trabajos en enlucidos/materiales de construcción ligeros	Min.
Desprendimiento de azulejos	
Trabajos en ladrillo	
Trabajos en hormigón	

Embrague limitador de par

- ▶ **En caso de engancharse o bloquearse el útil se desacopla el husillo de la unidad de accionamiento. Debido a la elevada fuerza de reacción resultante, siempre sujete la herramienta eléctrica con ambas manos y trabaje sobre una base firme.**
- ▶ **En caso de bloquearse el útil, desconectar la herramienta eléctrica y liberar el útil. Si el aparato se conecta estando bloqueado el útil de taladrar se producen unos pares de reacción muy elevados.**

Modificación de la posición para cincelar (Vario-Lock)

El cincel puede sujetarse en 12 posiciones diferentes. Ello le permite adoptar en cada caso una posición de trabajo óptima.

- Monte el cincel en el portaútiles.
- Gire el mando desactivador de percusión y giro 3 a la posición "Vario-Lock" (ver "Ajuste del modo de operación", página 13).
- Gire el portaútiles hasta conseguir la posición del cincel deseada.
- Gire el mando desactivador de percusión y giro 3 a la posición "Cincelar". El portaútiles queda retenido entonces en esa posición.
- ▶ **Para cincelar deberá colocarse siempre el mando desactivador de percusión y giro 3 en la posición "Cincelar".**

Instrucciones para la operación

- ▶ **Antes de cualquier manipulación en la herramienta eléctrica, sacar el enchufe de red de la toma de corriente.**

Amortiguador de vibraciones



El amortiguador de vibraciones integrado se encarga de atenuar las vibraciones.

El material especial utilizado en la empuñadura permite un mejor agarre y manejabilidad de la herramienta eléctrica.

Mantenimiento y servicio

Mantenimiento y limpieza

- ▶ **Antes de cualquier manipulación en la herramienta eléctrica, sacar el enchufe de red de la toma de corriente.**
- ▶ **Mantenga limpia la herramienta eléctrica y las rejillas de refrigeración para trabajar con eficacia y seguridad.**
- ▶ **Haga sustituir de inmediato una caperuza antipolvo deteriorada. Se recomienda que este trabajo sea realizado por un servicio técnico.**

La sustitución de un cable de conexión deteriorado deberá ser realizada por Bosch o por un servicio técnico autorizado para herramientas eléctricas Bosch con el fin de garantizar la seguridad del aparato.

Indicador de servicio 8

Si el desgaste de las escobillas es excesivo, la herramienta eléctrica se desconecta automáticamente. Esto se señala aprox. unas 8 horas antes al encenderse o parpadear previamente el indicador de servicio 8. La herramienta eléctrica deberá enviarse para su mantenimiento a uno de los servicios técnicos que se indican bajo el apartado "Servicio técnico y atención al cliente".

Indicador stand-by 9

Con el enchufe conectado y la tensión de red presente deberá encenderse el indicador stand-by 9. Si, estando encendido el indicador stand-by 9, la herramienta eléctrica no pudiese conectarse, ésta deberá enviarse al servicio técnico; ver direcciones en el apartado "Servicio técnico y atención al cliente", página 14.

Si a pesar de los esmerados procesos de fabricación y control, la herramienta eléctrica llegase a averiarse, la reparación deberá encargarse a un servicio técnico autorizado para herramientas eléctricas Bosch.

Para cualquier consulta o pedido de piezas de repuesto es imprescindible indicar el nº de artículo de 10 dígitos que figura en la placa de características de la herramienta eléctrica.

Servicio técnico y atención al cliente

El servicio técnico le asesorará en las consultas que pueda Ud. tener sobre la reparación y mantenimiento de su producto, así como sobre piezas de recambio. Los dibujos de despiece e informaciones sobre las piezas de recambio los podrá obtener también en internet bajo:

www.bosch-pt.com

Nuestro equipo de asesores técnicos le orientará gustosamente en cuanto a la adquisición, aplicación y ajuste de los productos y accesorios.

España

Robert Bosch Espana S.L.U.
Departamento de ventas Herramientas Eléctricas
C/Hermanos García Noblejas, 19
28037 Madrid
Tel. Asesoramiento al cliente: 902 531 53
Fax: 902 531554

Venezuela

Robert Bosch S.A.
Final Calle Vargas. Edf. Centro Berimer P.B.
Boleita Norte
Caracas 107
Tel.: (0212) 2074511

México

Robert Bosch S. de R.L. de C.V.
Circuito G. Gonzáles Camarena 333
Centro de Ciudad Santa Fe - 01210 - Mexico DF
Tel. Interior: (01) 800 6271286
Tel. D.F.: 52843062
E-Mail: arturo.fernandez@mx.bosch.com

Argentina

Robert Bosch Argentina S.A.
Av. Córdoba 5160
C1414BAW Ciudad Autónoma de Buenos Aires
Atención al Cliente
Tel.: (0810) 5552020
E-Mail: herramientas.bosch@ar.bosch.com

Perú

Robert Bosch S.A.C.
Av. Republica de Panama 4045
Buzón Postal Lima 34 (Surquillo) - Lima
Tel.: (01) 7061100

Chile

Robert Bosch S.A.
Calle San Eugénio, 40
Ñuñoa - Santiago
Buzón Postal 7750000
Tel.: (02) 5203100
E-Mail: emasa@emasa.cl

Eliminación

Recomendamos que las herramientas eléctricas, accesorios y embalajes sean sometidos a un proceso de recuperación que respete el medio ambiente.

¡No arroje las herramientas eléctricas a la basura!

Reservado el derecho de modificación.**Português****Indicações de segurança****Indicações gerais de advertência para ferramentas eléctricas**

ATENÇÃO Devem ser lidas todas as indicações de advertência e todas as instruções. O desrespeito das advertências e instruções apresentadas abaixo pode causar choque eléctrico, incêndio e/ou graves lesões.

Guarde bem todas as advertências e instruções para futura referência.

O termo "Ferramenta eléctrica" utilizado a seguir nas indicações de advertência, refere-se a ferramentas eléctricas operadas com corrente de rede (com cabo de rede) e a ferramentas eléctricas operadas com acumulador (sem cabo de rede).

Segurança da área de trabalho

- ▶ **Mantenha a sua área de trabalho sempre limpa e bem iluminada.** Desordem ou áreas de trabalho insuficientemente iluminadas podem levar a acidentes.
- ▶ **Não trabalhar com a ferramenta eléctrica em áreas com risco de explosão, nas quais se encontrem líquidos, gases ou pós inflamáveis.** Ferramentas eléctricas produzem faíscas, que podem inflamar pós ou vapores.
- ▶ **Manter crianças e outras pessoas afastadas da ferramenta eléctrica durante a utilização.** No caso de distração é possível que perca o controlo sobre o aparelho.

Segurança eléctrica

- ▶ **A ficha de conexão da ferramenta eléctrica deve caber na tomada. A ficha não deve ser modificada de maneira alguma. Não utilizar uma ficha de adaptação junto com ferramentas eléctricas protegidas por ligação à terra.** Fichas não modificadas e tomadas apropriadas reduzem o risco de um choque eléctrico.
- ▶ **Evitar que o corpo possa entrar em contacto com superfícies ligadas à terra, como tubos, aquecimentos, fogões e frigoríficos.** Há um risco elevado devido a choque eléctrico, se o corpo estiver ligado à terra.
- ▶ **Manter o aparelho afastado de chuva ou humidade.** A infiltração de água numa ferramenta eléctrica aumenta o risco de choque eléctrico.
- ▶ **Não deverá utilizar o cabo para outras finalidades. Jamais utilizar o cabo para transportar a ferramenta eléctrica, para pendurá-la, nem para puxar a ficha da tomada. Manter o cabo afastado de calor, óleo, cantos afiados ou partes do aparelho em movimento.** Cabos danificados ou emaranhados aumentam o risco de um choque eléctrico.
- ▶ **Se trabalhar com uma ferramenta eléctrica ao ar livre, só deverá utilizar cabos de extensão apropriados para áreas exteriores.** A utilização de um cabo de extensão apropriado para áreas exteriores reduz o risco de um choque eléctrico.

16 | Português

- ▶ **Se não for possível evitar o funcionamento da ferramenta eléctrica em áreas húmidas, deverá ser utilizado um disjuntor de corrente de avaria.** A utilização de um disjuntor de corrente de avaria reduz o risco de um choque eléctrico.

Segurança de pessoas

- ▶ **Esteja atento, observe o que está a fazer e tenha prudência ao trabalhar com a ferramenta eléctrica. Não utilizar uma ferramenta eléctrica quando estiver fadigado ou sob a influência de drogas, álcool ou medicamentos.** Um momento de descuido ao utilizar a ferramenta eléctrica, pode levar a lesões graves.
- ▶ **Utilizar equipamento de protecção pessoal e sempre óculos de protecção.** A utilização de equipamento de protecção pessoal, como máscara de protecção contra pó, sapatos de segurança antiderrapantes, capacete de segurança ou protecção auricular, de acordo com o tipo e aplicação da ferramenta eléctrica, reduz o risco de lesões.
- ▶ **Evitar uma colocação em funcionamento involuntária. Assegure-se de que a ferramenta eléctrica esteja desligada, antes de conectá-la à alimentação de rede e/ou ao acumulador, antes de levantá-la ou de transportá-la.** Se tiver o dedo no interruptor ao transportar a ferramenta eléctrica ou se o aparelho for conectado à alimentação de rede enquanto estiver ligado, poderão ocorrer acidentes.
- ▶ **Remover ferramentas de ajuste ou chaves de boca antes de ligar a ferramenta eléctrica.** Uma ferramenta ou chave que se encontre numa parte do aparelho em movimento pode levar a lesões.
- ▶ **Evite uma posição anormal. Mantenha uma posição firme e mantenha sempre o equilíbrio.** Desta forma é mais fácil controlar a ferramenta eléctrica em situações inesperadas.
- ▶ **Usar roupa apropriada. Não usar roupa larga nem jóias. Mantenha os cabelos, roupas e luvas afastadas de partes em movimento.** Roupas frouxas, cabelos longos ou jóias podem ser agarrados por peças em movimento.
- ▶ **Se for possível montar dispositivos de aspiração ou de recolha, assegure-se de que estejam conectados e utilizados correctamente.** A utilização de uma aspiração de pó pode reduzir o perigo devido ao pó.

Utilização e manuseio cuidadoso de ferramentas eléctricas

- ▶ **Não sobrecarregue o aparelho. Utilize a ferramenta eléctrica apropriada para o seu trabalho.** É melhor e mais seguro trabalhar com a ferramenta eléctrica apropriada na área de potência indicada.
- ▶ **Não utilizar uma ferramenta eléctrica com um interruptor defeituoso.** Uma ferramenta eléctrica que não pode mais ser ligada nem desligada, é perigosa e deve ser reparada.
- ▶ **Puxar a ficha da tomada e/ou remover o acumulador antes de executar ajustes no aparelho, de substituir acessórios ou de guardar o aparelho.** Esta medida de segurança evita o arranque involuntário da ferramenta eléctrica.

- ▶ **Guardar ferramentas eléctricas não utilizadas fora do alcance de crianças. Não permita que pessoas que não estejam familiarizadas com o aparelho ou que não tenham lido estas instruções, utilizem o aparelho.** Ferramentas eléctricas são perigosas se forem utilizadas por pessoas inesperadas.

- ▶ **Tratar a ferramenta eléctrica com cuidado. Controlar se as partes móveis do aparelho funcionam perfeitamente e não emperram, e se há peças quebradas ou danificadas que possam prejudicar o funcionamento da ferramenta eléctrica. Permitir que peças danificadas sejam reparadas antes da utilização.** Muitos acidentes têm como causa, a manutenção insuficiente de ferramentas eléctricas.
- ▶ **Manter as ferramentas de corte afiadas e limpas.** Ferramentas de corte cuidadosamente tratadas e com cantos de corte afiados emperram com menos frequência e podem ser conduzidas com maior facilidade.
- ▶ **Utilizar a ferramenta eléctrica, acessórios, ferramentas de aplicação, etc. conforme estas instruções. Considerar as condições de trabalho e a tarefa a ser executada.** A utilização de ferramentas eléctricas para outras tarefas a não ser as aplicações previstas, pode levar a situações perigosas.

Serviço

- ▶ **Só permita que o seu aparelho seja reparado por pessoal especializado e qualificado e só com peças de reposição originais.** Desta forma é assegurado o funcionamento seguro do aparelho.

Indicações de segurança para martelos

- ▶ **Usar protecção auricular.** Ruídos podem provocar a surdez.
- ▶ **Utilizar os punhos adicionais, se tiverem sido fornecidos com a ferramenta eléctrica.** A perda de controlo pode provocar lesões.
- ▶ **Ao executar trabalhos durante os quais podem ser atingidos cabos eléctricos ou o próprio cabo de rede só deverá segurar a ferramenta eléctrica pelas superfícies de punho isoladas.** O contacto com um cabo sob tensão também pode colocar sob tensão as peças metálicas do aparelho e levar a um choque eléctrico.
- ▶ **Utilizar detectores apropriados, para encontrar cabos escondidos, ou consulte a companhia eléctrica local.** O contacto com cabos eléctricos pode provocar fogo e choques eléctricos. Danos em tubos de gás podem levar à explosão. A penetração num cano de água causa danos materiais ou pode provocar um choque eléctrico.
- ▶ **Segurar a ferramenta eléctrica firmemente com ambas as mãos durante o trabalho e manter uma posição firme.** A ferramenta eléctrica é conduzida com segurança com ambas as mãos.
- ▶ **Fixar a peça a ser trabalhada.** Uma peça a ser trabalhada fixa com dispositivos de aperto ou com torno de bancada está mais firme do que segurada com a mão.
- ▶ **Espera a ferramenta eléctrica parar completamente, antes de depositá-la.** A ferramenta de aplicação pode emperrar e levar à perda de controlo sobre a ferramenta eléctrica.

Descrição do produto e da potência



Devem ser lidas todas as indicações de advertência e todas as instruções. O desrespeito das advertências e instruções apresentadas abaixo pode causar choque eléctrico, incêndio e/ou graves lesões.

Abri a página basculante contendo a apresentação do aparelho, e deixar esta página aberta enquanto estiver lendo a instrução de serviço.

Utilização conforme as disposições

O aparelho é destinado para furar com percussão em betão, tijolos e pedras, assim como para trabalhos de cinzelar.

Componentes ilustrados

A numeração dos componentes ilustrados refere-se à apresentação da ferramenta eléctrica na página de esquemas.

- 1 Capa para protecção contra pó
- 2 Bucha de travamento
- 3 Comutador de percussão/paragem de rotação
- 4 Amortecimento de vibrações
- 5 Interruptor de ligar-desligar
- 6 Punho (superfície isolada)
- 7 Roda de ajuste para a pré-selecção do nº de rotações/do nº de percussões
- 8 Indicação de serviço
- 9 Indicação de prontidão (Stand-by)
- 10 Punho adicional (superfície isolada)

Acessórios apresentados ou descritos não pertencem ao volume de fornecimento padrão. Todos os acessórios encontram-se no nosso programa de acessórios.

Dados técnicos

Martelo perfurador	GBH 5-40 DCE	
Nº do produto	3 611 B64 0..	
Potência nominal consumida	W	1 150
Velocidade	min ⁻¹	170 – 340
Nº de percussões		
– Funcionamento de furar	min ⁻¹	1 500 – 2 900
– Funcionamento de cinzelar	min ⁻¹	1 500 – 3 050
Força de impactos individuais		
– Funcionamento de furar	J	2 – 10
– Funcionamento de cinzelar	J	2 – 11
Ajustes para cinzelar	12	
Fixação da ferramenta	SDS-max	
Lubrificação	Lubrificação central permanente	

As indicações valem para tensões nominais [U] de 230 V. Estas indicações podem variar dependendo de tensões inferiores e dos modelos específicos dos países.

Martelo perfurador

GBH 5-40 DCE

máx. Ø de perfuração		
– Betão (com brocas helicoidais)	mm	40
– Betão (com broca passa-muros)	mm	55
– Alvenaria (com brocas de coroa oca)	mm	90

Peso conforme EPTA-Procedure 01/2003

kg	6,8
----	-----

Classe de protecção

	□/II
--	------

As indicações valem para tensões nominais [U] de 230 V. Estas indicações podem variar dependendo de tensões inferiores e dos modelos específicos dos países.

Montagem

► **Antes de todos trabalhos na ferramenta eléctrica deverá puxar a ficha de rede da tomada.**

Punho adicional

► **Só utilizar a sua ferramenta eléctrica com o punho adicional 10.**

O punho adicional **10** pode ser movimentado como desejar, para alcançar uma posição de trabalho segura e livre de fadiga.

- Girar a parte inferior do punho adicional **10** no sentido contrário dos ponteiros do relógio e deslocar o punho adicional **10** para a posição desejada. Em seguida girar a parte inferior do punho adicional **10** no sentido dos ponteiros do relógio para reapertar.

Troca de ferramenta

Com o encabadouro SDS-max é possível trocar fácil e confortavelmente as ferramentas de trabalho, sem ter que utilizar ferramentas.

A capa de protecção contra pó **1** evita, consideravelmente, que penetre pó de perfuração no encabadouro durante o funcionamento. Ao introduzir a ferramenta deverá assegurar-se de que a capa de protecção contra pó **1** não seja danificada.

► **Uma capa de protecção contra pó deve ser substituída imediatamente. Recomendamos que esta tarefa seja efectuada por uma oficina de serviço pós-venda.**

Introduzir a ferramenta de trabalho (veja figura A)

- Limpar a extremidade de encaixe da ferramenta de trabalho e lubrificá-la levemente.
- Introduzir a ferramenta de trabalho no encabadouro, girando até travar-se automaticamente.
- Puxar a ferramenta para controlar o travamento.

Retirar a ferramenta de trabalho (veja figura B)

- Empurrar a bucha de travamento **2** para trás e retirar a ferramenta de trabalho.

18 | Português

Aspiração de pó/de aparas

Pós de materiais como por exemplo, tintas que contém chumbo, alguns tipos de madeira, minerais e metais, podem ser nocivos à saúde. O contacto ou a inalação dos pós pode provocar reacções alérgicas e/ou doenças nas vias respiratórias do utilizador ou das pessoas que se encontrem por perto.

Certos pós, como por exemplo pó de carvalho e faia são considerados como sendo cancerígenos, especialmente quando juntos com substâncias para o tratamento de madeiras (cromato, preservadores de madeira). Material que contém asbesto só deve ser processado por pessoal especializado.

- Assegurar uma boa ventilação do local de trabalho.
- É recomendável usar uma máscara de protecção respiratória com filtro da classe P2.

Observe as directivas para os materiais a serem trabalhados, vigentes no seu país.

Funcionamento**Colocação em funcionamento**

- **Observar a tensão de rede! A tensão da fonte de corrente deve coincidir com a indicada na chapa de identificação da ferramenta eléctrica. Ferramentas eléctricas marcadas para 230 V também podem ser operadas com 220 V.**

Ajustar o tipo de funcionamento

Com o interruptor de percussão/paragem de rotação **3** é possível seleccionar o tipo de funcionamento.

Nota: Só mudar de tipo de funcionamento com a ferramenta eléctrica desligada! Caso contrário, é possível que a ferramenta eléctrica seja danificada.

- Girar o interruptor de percussão/paragem de rotação **3** para a posição desejada.

**Posição para furar com percussão**

Se após ligar a ferramenta eléctrica, a ferramenta de trabalho não girar imediatamente, deverá deixar a ferramenta eléctrica funcionar lentamente até a ferramenta de trabalho girar também.



Posição **Vario-Lock** para mudar a posição de cinzelar

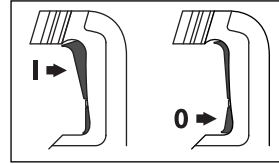


Posição para **cinzelar**

Na posição "Cinzelar", o número de percussão pré-seleccionado é automaticamente elevado com a roda de ajuste **7** ao ligar e a ferramenta eléctrica trabalha com potência elevada ao cinzelar.

Ligar/desligar no funcionamento de furar

- Para a **colocação em funcionamento** da ferramenta eléctrica deverá pressionar o interruptor de ligar-desligar **5** e manter pressionado.
- Para **desligar** a ferramenta eléctrica, deverá soltar novamente o interruptor de ligar-desligar **5**.

Ligar/desligar no funcionamento de cinzelar

- Para a **colocação em funcionamento** da ferramenta eléctrica deverá premir o interruptor de ligar-desligar **5** na parte de cima (**I**), até travar.
- Para **desligar** a ferramenta eléctrica deverá premir o interruptor de ligar-desligar **5** na parte de baixo (**0**) e soltar em seguida.

A temperaturas baixas a ferramenta eléctrica só alcança a sua plena potência de impacto/de percussão após um certo tempo.

Se a ferramenta eléctrica não for utilizada, desligue-a para poupar energia.

Ajustar o nº de rotações/de percussões

A electrónica de regulação possibilita uma pré-selecção sem escalonamento do número de rotações e do número de percussão para um processamento correcto de todos os tipos de materiais.

A electrónica constante mantém o número de rotações e de percussões pré-seleccionado praticamente constante, entre a marcha em vazio e a marcha em carga.

Ao introduzir a ficha de rede na tomada ou após uma falha de corrente, a electrónica de regulação ajusta automaticamente o número de rotações e o número de percussões mais altos. Isto evita que devido a um pré-ajuste baixo da roda de ajuste **7** não seja trabalhado com potência otimizada.

- Seleccionar o número de percussão com a roda de ajuste **7**, de acordo com o tipo de material.

As indicações apresentadas na tabela seguinte são valores recomendados.

Aplicação	Posição da roda de ajuste
Trabalhar em rebocos/materiais de construção leves	Min.
Soltar ladrilhos	
Trabalhar em tijolos	Max.
Trabalhar em betão	

Acoplamento de sobrecarga

- **O accionamento do veio de perfuração é interrompido se a ferramenta de trabalho emperrar ou enganchar. Sempre segurar, devido às forças produzidas, a ferra-**

menta eléctrica firmemente com ambas as mãos e manter uma posição firme.

- ▶ **Desligar a ferramenta eléctrica e soltar a ferramenta de trabalho, se a ferramenta eléctrica bloquear. Ao ligar o aparelho com uma broca bloqueada são produzidos altos momentos de reacção.**

Alterar a posição do cinzel (Vario-Lock)

O cinzel pode ser travado em 12 posições. Desta forma é possível colocá-lo na posição otimizada para o respectivo trabalho.

- Introduzir o cinzel no encabadouro.
- Girar o interruptor de percussão/paragem de rotação **3** para a posição “Vario-Lock” (veja “Ajustar o tipo de funcionamento”, página 18).
- Girar o encabadouro para a posição do cinzel desejada.
- Girar o interruptor de percussão/paragem de rotação **3** para a posição “cinzelar”. Desta forma a fixação da ferramenta é travada.
- ▶ **Para cinzelar, o comutador de percussão/paragem de rotação 3 deve sempre estar na posição “Cinzelar”.**

Indicações de trabalho

- ▶ **Antes de todos trabalhos na ferramenta eléctrica deverá puxar a ficha de rede da tomada.**

Amortecimento de vibrações



O amortecimento de vibrações integrado reduz eventuais vibrações.

O punho soft aumenta a segurança contra deslize e assegura que a ferramenta eléctrica possa ser segurada e manuseada com maior segurança.

Manutenção e serviço

Manutenção e limpeza

- ▶ **Antes de todos trabalhos na ferramenta eléctrica deverá puxar a ficha de rede da tomada.**
- ▶ **Manter a ferramenta eléctrica e as aberturas de ventilação sempre limpas, para trabalhar bem e de forma segura.**
- ▶ **Uma capa de protecção contra pó deve ser substituída imediatamente. Recomendamos que esta tarefa seja efectuada por uma oficina de serviço pós-venda.**

Se for necessário substituir o cabo de conexão, isto deverá ser realizado pela Bosch ou por uma oficina de serviço pós-venda autorizada para todas as ferramentas eléctricas Bosch para evitar riscos de segurança.

Indicação de serviço 8

A ferramenta eléctrica desligar-se-á automaticamente se os carvões abrasivos estiverem gastos. A indicação de serviço **8** indicará o desgaste com uma antecedência de aprox. 8 horas, iluminando-se ou piscando. Para a manutenção, a ferramenta eléctrica deve ser enviada ao serviço pós-venda. Endereços encontram-se no capítulo “Serviço pós-venda e consultoria de aplicação”.

Indicação Stand-by (Indicação de prontidão) 9

Com a ficha de rede introduzida e com tensão de rede disponível, a indicação de prontidão (Stand-by) **9** deve acender. Se não for possível ligar a ferramenta eléctrica apesar da indicação Stand-by **9** estar acesa, deverá enviá-la ao serviço pós-venda, os endereços se encontram no trecho “Serviço pós-venda e consultoria de aplicação”, página 19.

Se a ferramenta eléctrica falhar apesar de cuidadosos processos de fabricação e de teste, a reparação deverá ser executada por uma oficina de serviço autorizada para ferramentas eléctricas Bosch.

Para todas as questões e encomendas de peças sobressalentes é imprescindível indicar o número de produto de 10 dígitos como consta na placa de características da ferramenta eléctrica.

Serviço pós-venda e consultoria de aplicação

O serviço pós-venda responde às suas perguntas a respeito de serviços de reparação e de manutenção do seu produto, assim como das peças sobressalentes. Desenhos explodidos e informações sobre peças sobressalentes encontram-se em:

www.bosch-pt.com

A nossa equipa de consultoria de aplicação Bosch esclarecem com prazer todas as suas dúvidas a respeito da compra, aplicação e ajuste dos produtos e acessórios.

Portugal

Robert Bosch LDA
Avenida Infante D. Henrique
Lotes 2E – 3E
1800 Lisboa
Tel.: 21 8500000
Fax: 21 8511096

Brasil

Robert Bosch Ltda.
Caixa postal 1195
13065-900 Campinas
Tel.: (0800) 7045446
www.bosch.com.br/contacto

Eliminação

Ferramentas eléctricas, acessórios e embalagens devem ser enviados a uma reciclagem ecológica de matérias primas.

Não deitar ferramentas eléctricas no lixo doméstico!

Sob reserva de alterações.